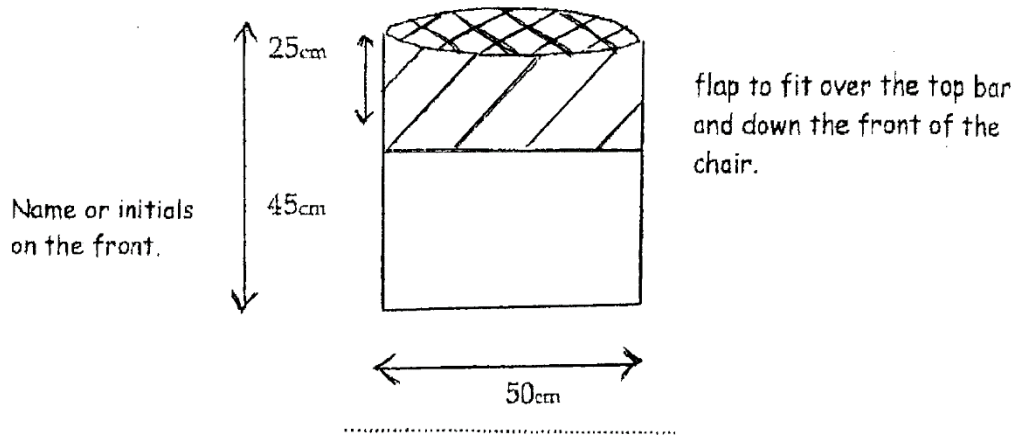


## SCHOOL EQUIPMENT

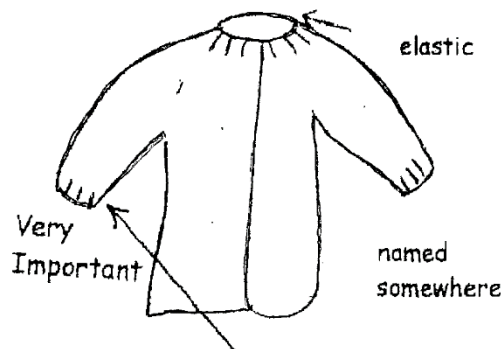
### Chair bag to hang on the back of a chair.

We would be most grateful if your child could be provided with a **named** chair bag and the school recommend the following design in a strong material and firmly stitched. Chair bags are for each child to store personal possessions in during the course of the day.



### Painting Apron

The **apron** needs to completely cover the child's clothing - especially the sleeves, and needs to be of a design that can be put on and taken off independently with no tapes or difficult back fastenings. An adapted man's old shirt is ideal.



Sleeves to be elasticated.

#### Variations

1. The collar cut off and the front opening sewn up for easy pulling on and off.
2. The collar cut off and a velcro or press-stud fastening at the top of the back.
3. The collar cut off and a velcro or press-stud fastening down the front.
4. Tie collar left on with a button fastening.

It is necessary for the protection of your child's possessions, that everything is clearly named. Please make sure that your child recognises the nametags that you have used.